

# 2G/3G/4G/5G Paddle Antenna

PWB-BC3G-38-RFDJ



Straight Orientation

Articulated Orientation

## PWB-BC3G-38-RFDJ

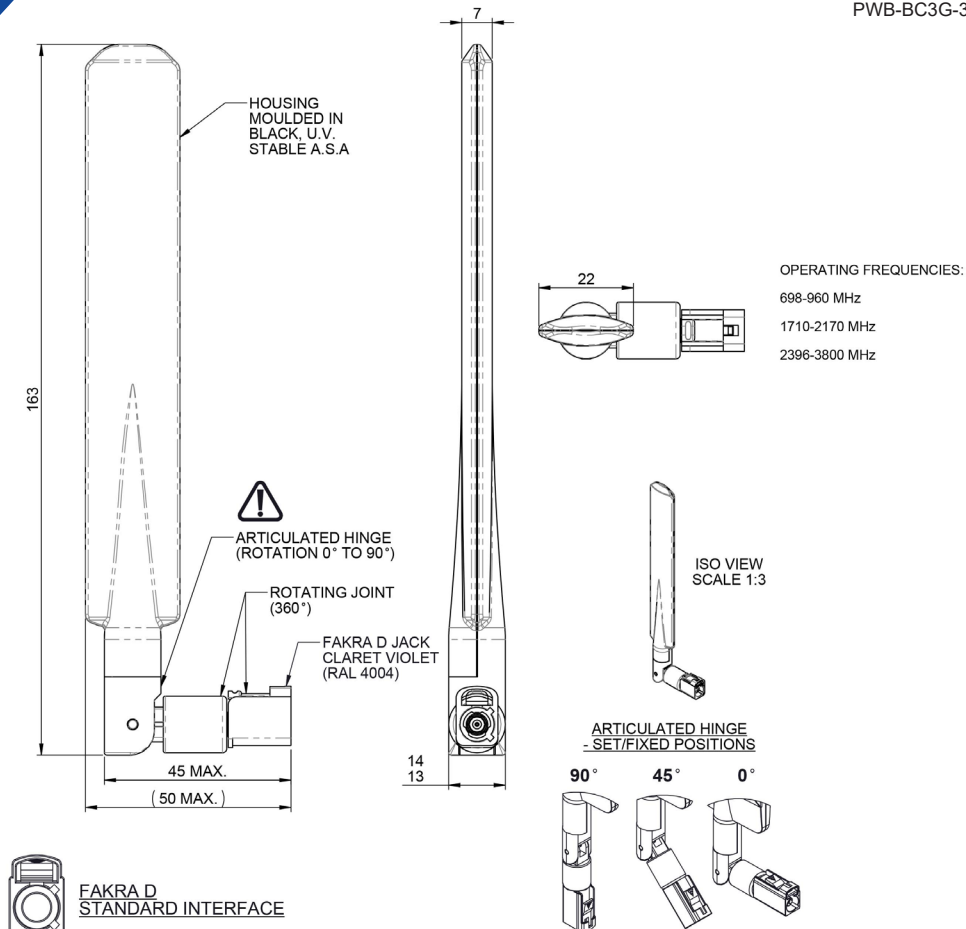
- Supports 2G/3G/4G /5G
- Suitable for routers and terminals
- Articulated FAKRA D Jack connector

The PWB-BC3G-38-RFDJ antenna is a ground plane independent antenna covering global 2G/3G/4G/5G bands in the range 698-960/1710-2170/2396-2700 and 3400-3800MHz.

Designed for modems and routers with FAKRA connector, the PWBBC3G-38-RFDJ has an articulated FAKRA D Jack for flexible positioning and a sleek profile for low visual impact.

### Technical Drawing

PWB-BC3G-38-RFDJ Shown



Part No.

PWB-BC3G-38-RFDJ

Electrical Data

Frequency Range (MHz) 698-960, 1710-2170, 2396-2700, 3400-3800

Typical VSWR <3:1

698-960MHz 3dBi

Peak Gain: Isotropic 1710-2700MHz 4dBi

3400-3800MHz 5dBi

Polarisation Vertical

Pattern Omni-directional

Impedance 50Ω

Max Input Power (W) 10

Mechanical Data

Dimensions Length 163 (6.4")

(mm) Width 22(0.8")

Thickness 7(0.27")

Material ASA

Operating Temp (°C) -40° / 176°F (-40° / +80°C )

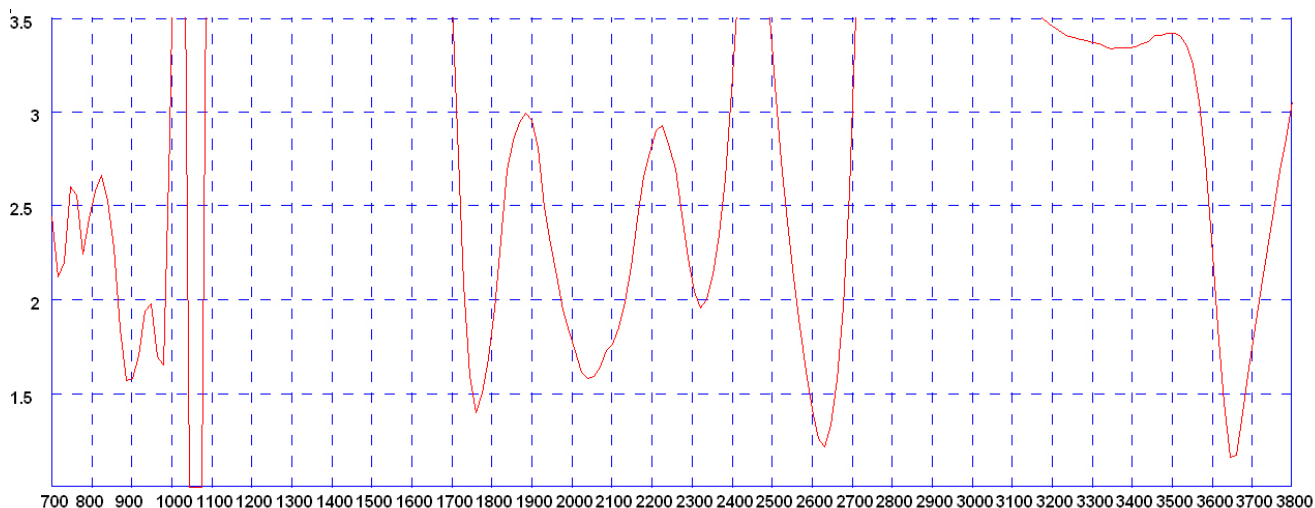
Colour Black

Termination Data

Type FAKRA D JACK

Electrical Data - Cell

Typical VSWR\*



\*VSWR measured mounted directly to a router device in free space.