

WiFi 2.4/5.0GHz Terminal Antenna

PWB-24-58-RFIJ



Straight Orientation

Angled Orientation

PWB-24-58-RFIJ

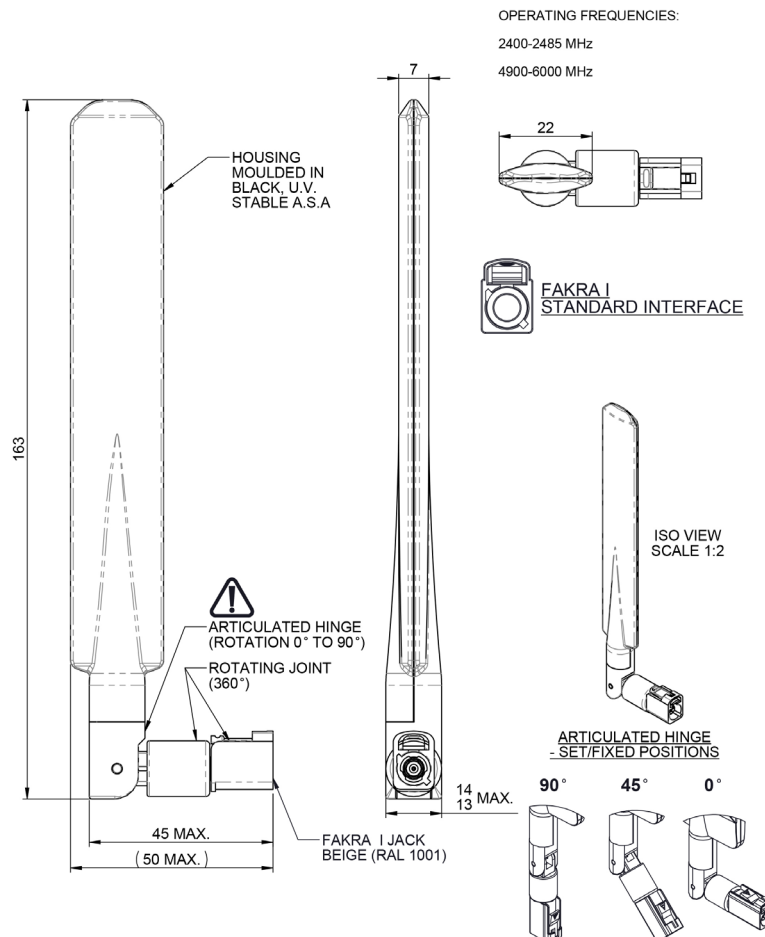
- Dual Band 2.4/5.0GHz
- Suitable for routers and terminals
- Articulated FAKRA Type I Connector

The PWB-24-58 antenna is a ground plane independent antenna covering 2.4 / 5.0GHz

Designed as an 'on device' antenna, the PWB-24-58-RFIJ features an articulated FAKRA type I connector for flexible positioning and a sleek profile for low visual impact.

Technical Drawing

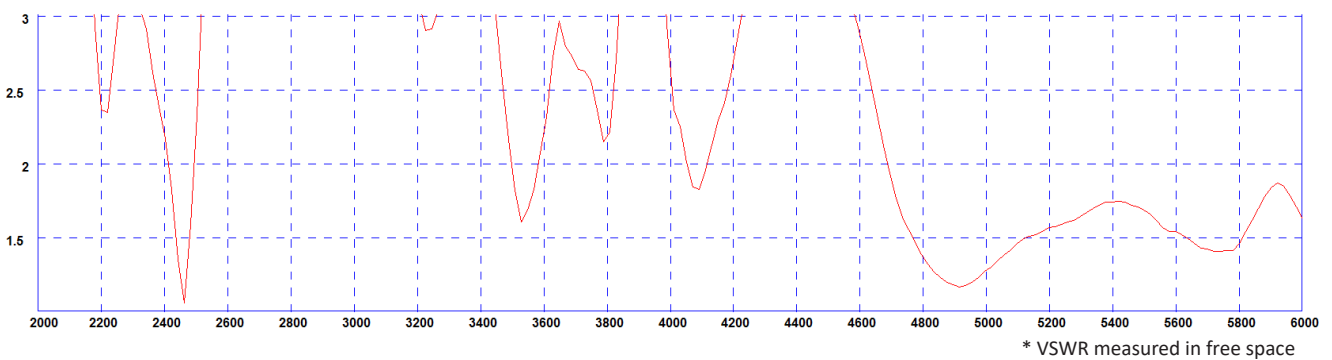
PWB-24-58-RFIJ Shown



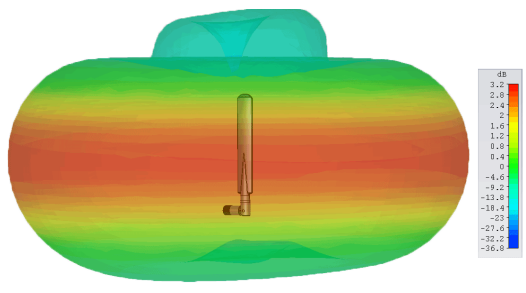
Product Data

Part No.		PWB-24-58-RFIJ
Electrical Data		
Frequency Range (MHz)		2.396-2.485 / 4.9-6.0GHz
Operational Band		2.4/5.0GHz WiFi
Typical VSWR		<2.5:1
Peak Gain:	2.45GHz	3dBi
Isotropic*	5.4GHz	5dBi
Polarisation		Vertical
Pattern		Omni-directional
Impedance		50Ω
Max Input Power (W)		10
Mechanical Data		
Dimensions (mm)	Length	163 (6.4")
	Width	22(0.8")
	Thickness	7(0.27")
Material		ASA
Operating Temp (°C)		-22° / 158°F (-30° / +70°C)
Colour		Black
Termination Data		
Type		FAKRA I JACK - BEIGE (RAL 1001)

Electrical Data - Cell Typical VSWR*



Typical 3D Plot (2450MHz)



Typical 3D Plot (5400MHz)

