



TECHNICAL SPECIFICATIONS

AirLink® LX60

Essential Series Routers



	North America	EMEA	Australia & New Zealand	Global
	LTE			LTE-M/NB-IoT
<b>LTE CATEGORY</b>	Cat-4 (WP7610)	Cat-4 (WP7607)	Cat-4 (WP7609)	Cat-M1/NB1 (WP7702)
<b>Peak D/L</b>	Up to 150 Mbps	Up to 150 Mbps	Up to 150 Mbps	Cat-M1: 300kbps Cat-NB1: 27kbps
<b>Peak U/L</b>	Up to 50 Mbps	Up to 50 Mbps	Up to 50 Mbps	Cat-M1: 375kbps Cat-NB1: 65kbps
<b>4G LTE Frequency Bands</b>	1900(B2), AWS(B4), 850(B5), 700(B12), 700(B13), 700(B17), 1700(B66)	2100(B1), 1800(B3), 2600(B7), 900(B8), 800(B20), 700(B28)	2100(B1), 1800(B3), 850(B5), 2600(B7), 900(B8), 700(B28)	2100(B1), 1900(B2), 1800(B3), AWS(B4), 850(B5), 900(B8), 700(B12), 700(B13), 700(B17), 850(B18), 850(B19), 800(B20), 850(B26), 700(B28)
<b>3G WCDMA/HSPA+ Frequency Bands</b>	1900(B2), AWS(B4), 850(B5)	2100(B1), 900(B8)	2100(B1), 850(B5), 900(B8)	
<b>2G GSM/GPRS Frequency Bands</b>		900, 1800		850, 900, 1800, 1900
<b>APPROVALS</b>				
<b>Regulatory</b>	FCC, IC, PTCRB	GCF, CE	GCF, RCM	FCC, IC, PTCRB, GCF, CE
<b>Carrier</b>	Verizon, AT&T, T-Mobile		Planned: Telstra	Verizon (Cat-M1), AT&T (Cat-M1)
<b>PART NUMBER</b>	1104580 1104572 (Wi-Fi + GNSS) 1104493 (Wi-Fi + GNSS + Telemetry)	1104046 1104047 (Wi-Fi + GNSS)	1104048 1104049 (Wi-Fi + GNSS)	1104030

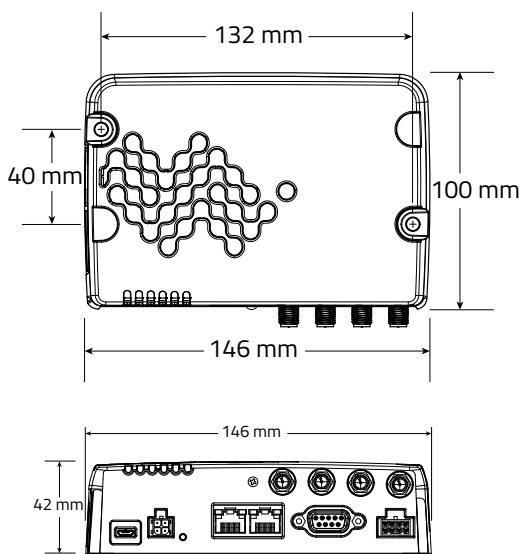
	Specification
<b>HOST INTERFACES</b>	2 Gigabit RJ-45 Ethernet ports RS-232 serial port (DB-9) USB 2.0 Micro-B Connector 3 SMA antenna connectors (cellular, diversity, GNSS) 1 SMA for LTE-M version 1 RP SMA antenna connector (Wi-Fi) Active GNSS antenna support Aux Port (RS-485/GPIO)
<b>WI-FI (Optional)</b>	Dual Band 2.4/5GHz Wi-Fi 802.11 b/g/n/ac (Wave2 Client Mode) Support for 10 clients, WPA2 Enterprise Output power 16dBm Access Point or Client Mode (Wi-Fi as WAN) Single SSID Support Captive Portal
<b>INPUT/OUTPUT</b>	Configurable I/O (5 pins total) <ul style="list-style-type: none"> <li>5 Digital Inputs: ON Voltage: 2.7 to 36 VDC</li> <li>1 Digital Open Collector Output &gt; sinking 300 mA</li> <li>3 Analog Inputs: 0.5-5/0.5-10 VDC (range selectable)</li> <li>Configurable Pull-ups for dry contact input</li> </ul>

	Specification
<b>SECURITY</b>	Remote Authentication (LDAP, RADIUS, TACACS+) DMZ Inbound and Outbound Port filtering Inbound and Outbound Trusted IP MAC Address Filtering PCI compatible Secure Firmware Update
<b>SATELLITE NAVIGATION GNSS (OPTIONAL)</b>	Dedicated GNSS Receiver supporting GPS, GLONASS, BeiDou, Galileo Tracking Sensitivity: -162 dBm Accuracy: < 1.5m (50%), < 3.15m (95%) Acquisition Time: 1s Hot Start Reports: NMEA 0183 V3.0, TAIP, RAP, XORA Multiple Redundant Servers Reliable Store and Forward

# TECHNICAL SPECIFICATIONS

	Specification
LAN (ETHERNET/USB)	DHCP Server IP Passthrough VLAN Host Interface Watchdog PPPoE
SERIAL	TCP/UDP PAD Mode Modbus (ASCII, RTU, Variable) PPP DNP3 Interoperability
NETWORK AND ROUTING	Network Address Translation (NAT) Ethernet WAN Port Forwarding Verizon PNTM NEMO/DMNR IPv6 Gateway VRRP Policy Routing Reliable Static Route Dynamic DNS
VPN	IPsec, GRE, and OpenVPN Client Up to 5 concurrent tunnels Split Tunnel Dead Peer Detection (DPD)
ROUTER MANAGEMENT INTERFACES	Local web user interface AT Command Line Interface (Telnet/SSH/Serial) SNMP SMS Commands
APPLICATION FRAMEWORK	ALEOS Application Framework (AAF) LUA Scripting Language
POWER	Input Voltage: 7 to 36 VDC Low voltage disconnect to prevent battery drain Built-in protection against voltage transients including 5 VDC engine cranking Ignition Sense with time delay shutdown
DIMENSIONS	146 mm x 42 mm x 100 mm (106 mm including connectors) 5.74 in x 1.65 in x 3.93 in (4.17 in including connectors) 250g (weight)

\*For carrier specific band support please refer to the hardware user guide.



	Specification
NETWORK MANAGEMENT	Secure mobile network & asset management application available in the cloud or licensed platform in the enterprise data center Fleet wide firmware upgrade delivery Router configuration and template management Router staging over the air and local Ethernet connection Over-the-air software and radio module firmware updates Device Configuration Templates Configurable monitoring and alerting Remote provisioning and airtime activation (where applicable)
EVENTS ENGINE	Custom event triggers and reports Configurable interface, no programming Event Types: Digital Input, Network Parameters, Data Usage, Timer, Power, Device Temperature and Voltage Report Types: RAP, SMS, Email, SNMP Trap, TCP (Binary, XML, CSV) Event Actions: Drive Relay Output
ENVIRONMENTAL	Operating Temperature: -30°C to +65°C / -22°F to +149°F Storage Temperature: -40°C to +85°C / -40°F to +185°F Humidity: 90% RH @ 60°C Military Spec MIL-STD-810G conformance to shock, vibration, thermal shock, and humidity IP20 rated ingress protection
INDUSTRY CERTIFICATIONS	Safety: IECE Certification Bodies Scheme (CB Scheme), UL 60950 Vehicle Usage: ISO7637-2, SAE J1455 (Shock, Vibration, Electrical) Environmental: RoHS2, REACH, WEEE Hazardous Environments: Class 1 Div 2 - Ambient temperatures of -30°C to +60°C Environmental: RoHS2, REACH, WEEE
SUPPORT AND WARRANTY	Includes 1st Year AirLink Complete: <ul style="list-style-type: none"> <li>AirLink Management Service (ALMS)</li> <li>Direct 24/7 Technical Support</li> <li>3-year standard warranty; optional 2-year warranty extension</li> </ul> 1-day Accelerated Hardware Replacement available through participating resellers
ACCESSORIES	In the box: DC Power Cable and Quick Start Guide Other Accessories (sold separately): 2000579 AC Adapter, 12VDC 6001110 Cellular Paddle Antenna 6001111 Wi-Fi 2.4/5Hz Paddle Antenna 6001214 DIN Rail Bracket 6001231 Panel Antenna (LPWA) For Antenna options visit: <a href="http://sierrawireless.com/antennas">sierrawireless.com/antennas</a>

## Related AirLink Products

### AIRLINK DEVICE MANAGEMENT SOLUTIONS

#### Airlink Management service (ALMS)



- Secure, Cloud-based network and asset management
- Remotely deploy, configure, monitor and manage AirLink devices
- Carrier-grade, high availability, secure, global infrastructure

#### Airlink Manager / Mobility Manager (AM/AMM)



- Deployable in the enterprise data center (on-premises) or in the cloud
- Advanced, end-to-end network and asset management for both fixed and mobile networks.
- Remote, real-time configuration, control and troubleshooting of AirLink devices

### AIRLINK VPN APPLIANCE

#### Airlink Connection manager



- VPN appliance built from the ground up for Airlink routers & gateways
- Simplify deployment and management of your VPN solution, extending the enterprise to the network edge for fixed and mobile endpoints
- Carrier agnostic – ACM doesn't require fixed and/or public IP
- Compatible with FIPS 140-2, and always-on VPN capability

#### About Sierra Wireless

Sierra Wireless (NASDAQ: SWIR) (TSX: SW) is the leading IoT solutions provider that combines devices, network and software to unlock value in the connected economy. Companies globally are adopting IoT to improve operational efficiency, create better customer experiences, improve their business models and create new revenue streams. Whether it's a solution to help a business securely connect edge devices to the cloud, or a software/API solution to help manage processes associated with billions of connected assets, or a platform to extract real-time data to make the best business decisions, Sierra Wireless will work with you to create the right industry-specific solution for your next IoT endeavor. Sierra Wireless has more than 1,300 employees globally and operates R&D centers in North America, Europe and Asia.

For more information, visit [www.sierrawireless.com](http://www.sierrawireless.com).